

VON®

DESIGNED TO LOVE

VACUUM CLEANER, 1.6L

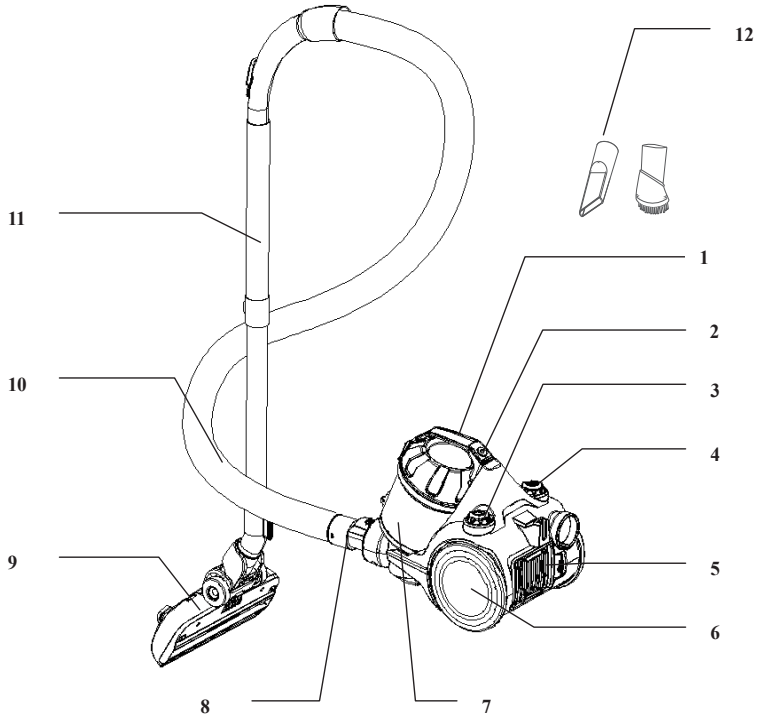
VAVC-16DMR



USER MANUAL

PLEASE READ CAREFULLY! BEFORE USING THE APPLIANCES
PLEASE KEEP IT HANDY FOR FUTURE USE!

STRUCTURE OF THE PRODUCT



1	handle	9	Brush tool
2	Release button	10	Hose
3	Power button	11	Extending metal tube
4	Cord rewind button	12	Two in one brush
5	Air Outlet Plate		
6	Big wheel		
7	Dust bin		
8	Hose connector		

SAFETY DIRECTION

1. For the first operation, it is advisable to read the manual carefully before hand and keep it properly for future use.
2. Before the first operation, make sure the dust bin is properly installed.
3. Make sure the power supply is 220-240V~ 50/60Hz.
4. Do not vacuum water and inflammable material.
5. Do not vacuum burning material and ashes.
6. Do not use the machine without a motor protection filter installed.
7. Please change the dust bin/HEPA immediately when it is damaged.
8. Do not store or use the machine close to high temperature places
9. If abnormal noise, smell, smoke or any other failure or breakage is found during the operation, you should turn off the switch and unplug it. Then contact with your service center for repair. Do not repair it by yourself.
10. If the supply cord is damaged, it must be replaced by the manufactures or its service agent or a similarly qualified person in order to avoid a hazard.

HOW TO USE

ASSEMBLY BEFORE USE

Fig.1 shows the connection of the hose and the vacuum cleaner:

Put the hose connector in front of the vacuum cleaner .Then insert it into the inlet hole and turn right. If you want to disassemble it, you can turn the hose connection left and then pull it out.

Fig.2 shows the connection of the hose and the extending metal tube:

Hold the flexural connector of the hose and put it into the bigger hole of the tube.

Fig.3 shows the connection of the tube and the brush tool:

Put the metal tube into the hole of the brush and rotate it to fasten them.

Fig.4 shows how to check the winding of the power cord.

You can pull the power cord out of the machine and stop it when you see the yellow mark. Make sure the red mark is not out. When your sweep is over, first turn off the power, pull the plug out of the socket, and then push the winding device button until the cord is completely in the machine.

Fig.5 shows the power button

Put the plug into the socket, push the power button to control the work of the machine.



Fig.1



Fig.2



Fig.3



Fig.4



Fig.5

CLEANING OF THE DUST CHAMBER

The steps of the chamber cleaning:

1. As in Fig.6, hold the dust chamber and handle and push the release button.
2. As in Fig.7, take the dust chamber out of the machine.
3. As in Fig.8, hold the dust chamber onto the rubbish bin, push the release button to open the bottom of the dust chamber, and the dirt and dust will fall into the bin by themselves.
4. As in Fig.9, close the dust chamber after your cleaning.
5. If the dust in the chamber is over the MAX line and you feel the suction force is reducing, please turn off the power .



Fig.6



Fig.7



Fig.8



Fig.9

ATTACHMENTS

HOW TO USE THE ATTACHMENTS:

1. As in fig.10, you can use the compressed brush on corners and crevices.
2. As in fig.11, open the other side with bristles of the compressed brush as the mark of an arrow to clean the sofa, the curtain and the dust on the ornaments.
3. As in fig.12, tread on the pedal of the brush tool to let the bristles out, and you can clean the floor.
4. As in fig.13, tread on the pedal of the brush tool again to put the bristles in, and you can clean the carpet.



Fig.10



Fig.11



Fig.12



Fig.13

MAINTENANCE

HOW TO MAINTAIN

1. The filter should be cleaned twice a year, or when there is obvious dirt on the filter.
2. You must fix the filter properly before running the vacuum cleaner.
3. The filter can't be cleaned in the washing machine or blown with the blower.
4. It will reduce the suction power and damage the motor if you use a wet filter.
5. Steps for maintenance:
 - 1) As in fig.14, press the outlet lock to open the outlet board.
 - 2) As in fig.15, get out the Hepa filter.
 - 3) As in fig.16, rotate the Pre-motor filter/ Sponge filter cover to separate it from the chamber cover
 - 4) As in fig.17, get the Pre-motor filter/ Sponge filter cover
 - 5) As in fig.18, If you have any hair winding removable cleaning.
 - 6) As in fig.19, get the Pre-motor filter/ Sponge filter and wash it.
 - 7) Wash the Pre-motor filter/ Sponge filter cover, the Pre-motor filter/ Sponge filter assembly, the outlet sponge and the dust chamber in water without detergent and dry them before use.
 - 8) Fix the Pre-motor filter/ Sponge filter assembly on the chamber cover .

9) Rotate the HEPA assembly in the direction of the mark on the chamber cover.

10) Assemble the chamber cover assembly and the dust chamber according to the mark outside.

11) As in fig.20, hit the filter rack with your hand slightly.

12) Put the dust chamber assembly into the machine. And in this process, first you should make the chamber in the right position and then press the handle of the dust chamber, if there is a cluck it means the operation is successful.



Fig.14

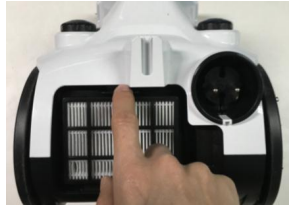


Fig.15



Fig.16



Fig.17



Fig.18



Fig.19



Fig.20

Correct Disposal of this product



This marking indicates that this product should not be disposed with other household wastes throughout the EU. To prevent possible harm to the environment or human health from uncontrolled waste disposal, recycle it responsibly to promote the sustainable reuse of material resources. To return your used device, please use the return and collection systems or contact the retailer where the product was purchased. They can take this product for environmental safe recycling.